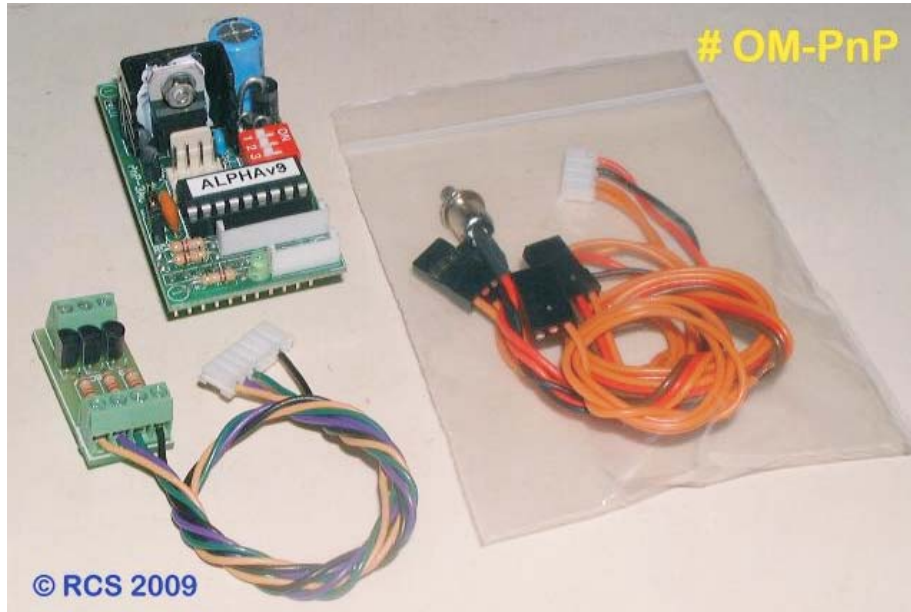


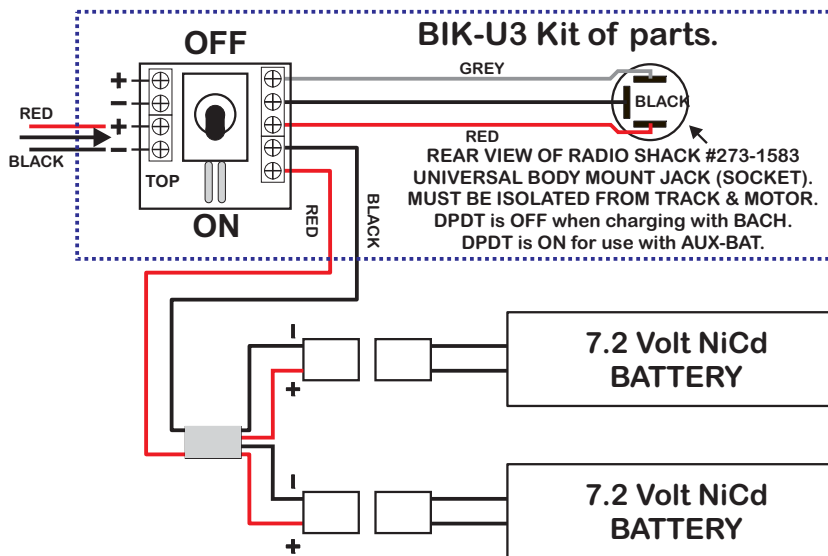
WIRING THE *BELTROL* OM-PnP ESC.

PLEASE NOTE. THE LIGHTING OUTPUTS ON THE OM-PnP ARE PRE-WIRED VIA THE PINS ON THE ESC.

Please see the sound system brand specific instructions for how to wire a sound system.
http://www.beltrol-rc.com/index.php?page_id=1332



CONNECT THE RED & BLACK WIRES TO:
 THE ARISTOCRAFT BATTERY CONNECTORS
 AT THE SMALL PCB IN THE U CHANNEL AT
 THE REAR. **N.B. POLARITY IS IMPORTANT.**
 THE BACHMANN TERMINALS MARKED "BAT"



**HK-TR6A
6ch RX.**
REMOTE RX

