

# WIRING THE BELTROL OM-6 ESC.

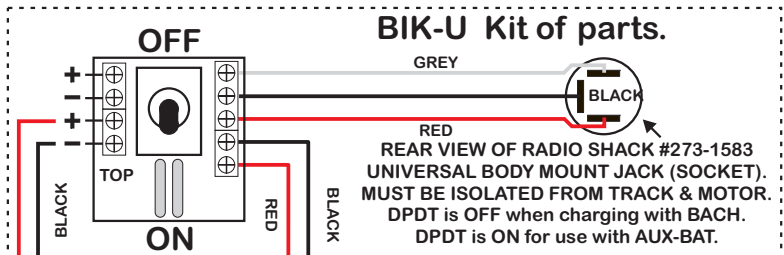
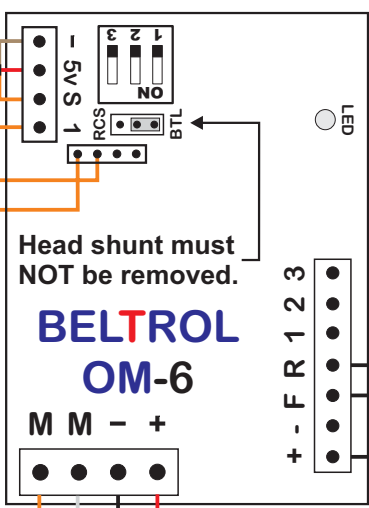
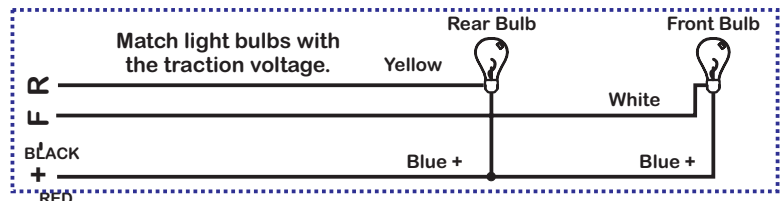
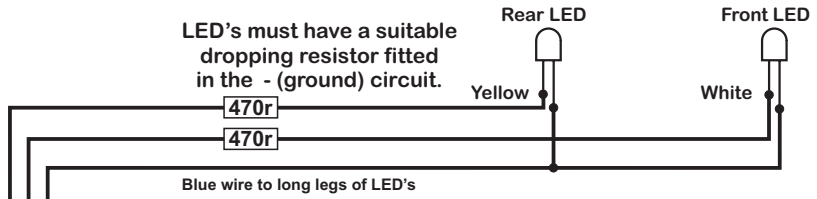


Three wire cable. Ensure plugs are correctly located.

Ensure plugs are correctly located. Orange wire towards middle of RX.

Please see the sound system brand specific instructions for how to wire a sound system.  
[http://www.beltrol-rc.com/index.php?page\\_id=1332](http://www.beltrol-rc.com/index.php?page_id=1332)

LED's must have a suitable dropping resistor fitted in the - (ground) circuit.



FUSE. We suggest you use a # RUE-300 3 amp Auto reset Polyswitch. NOT required with BIK-U3/6.

