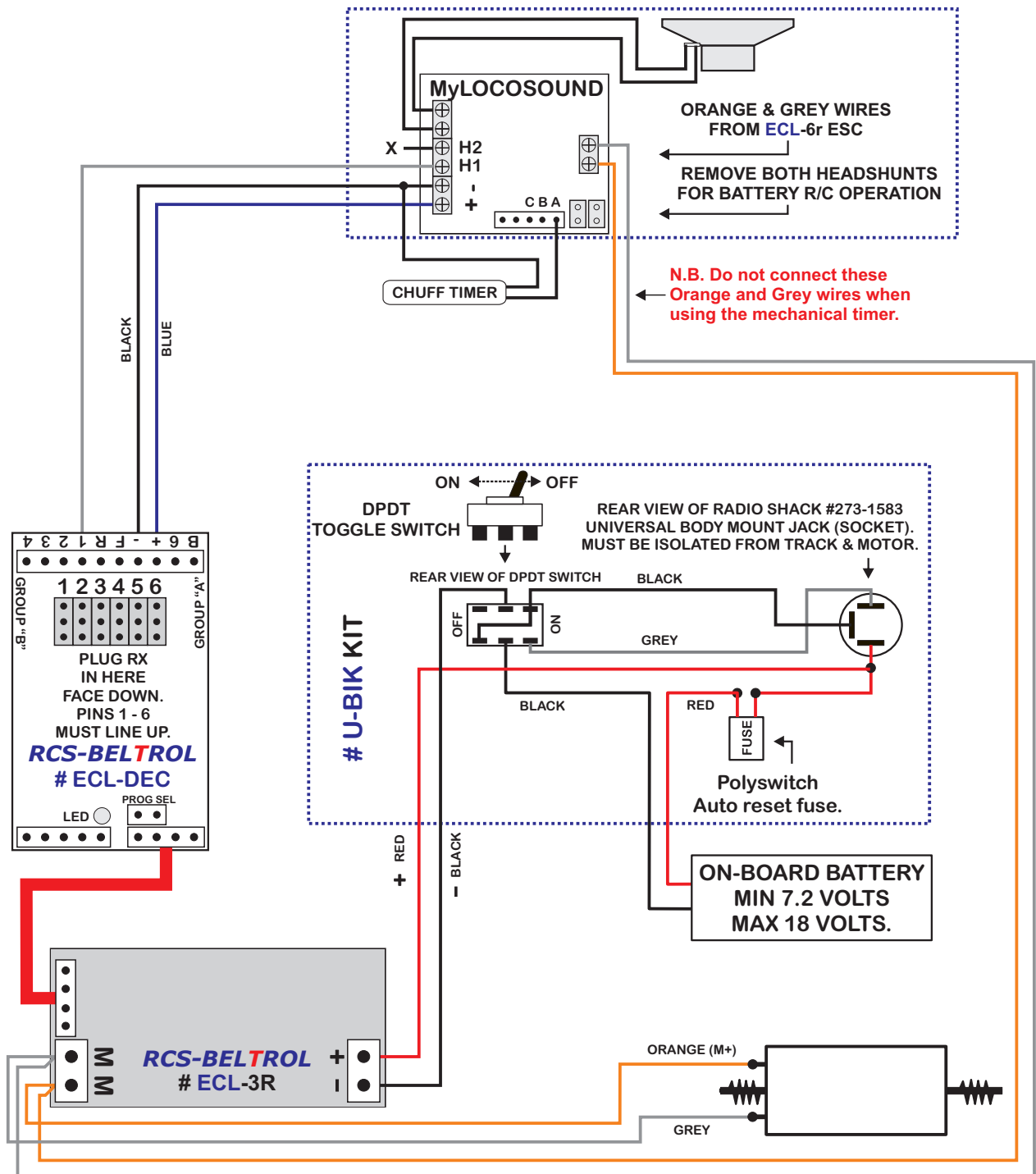


WIRING THE *RCS-BELTROL ECL-3r* ESC with battery power & MyLocosound.



CAUTION:

SPEKTRUM® R/C & PLANET TWISTER® R/C ARE GROUP "A" SYSTEMS.
 THEY MUST USE THE **BTLvA1** PROGRAM.
 HOBBY KING® R/C & E-SKY® R/C ARE GROUP "B" SYSTEMS.
 THEY MUST USE THE **BTLvB1** PROGRAM.